



# PHOENIX Audio Technologies

## The Condor Expansion Kit

### Connection Guide



The Phoenix Audio Technologies Condor Expansion Kit allows integrators to easily implement multiple Condors using the Stingray.

Each kit includes 2 Condor units, but customers can add additional Condors - up to four per Stingray and up to a maximum of 60 Condors by daisy chaining a total of 15 Stingrays.



Each kit includes the following items:

- 2 x MT600 - Condor
- 1 x MT700 - Stingray
- 2 x Monoprice Audio Extender (Each pair includes a Remote and Local adapter)
- 2 x 6' 3.5mm to mono RCA Cable
- 2 x 6" Phoenix to 3.5mm Cable

The following items are required but must be purchased separately:

- 2 x CAT5e or CAT6 Shielded Cables
- Up to four 8 ohm speakers (70W maximum)

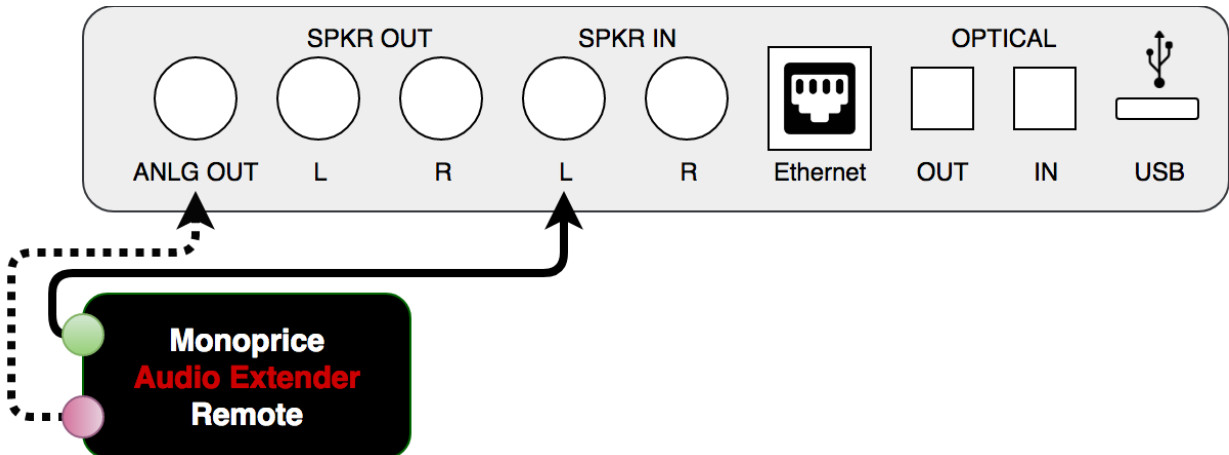
Please ensure all parts listed are present and accounted for before beginning installation.

## CONNECTING THE CONDORS

1. The first required connection will be between the Condor and the Remote Audio Extender. For this setup, we will be using the Condor's "ANLG OUT" connection port as well as the "SPKR IN" port.

Using the included 6' 3.5mm to mono RCA cable, connect the following:

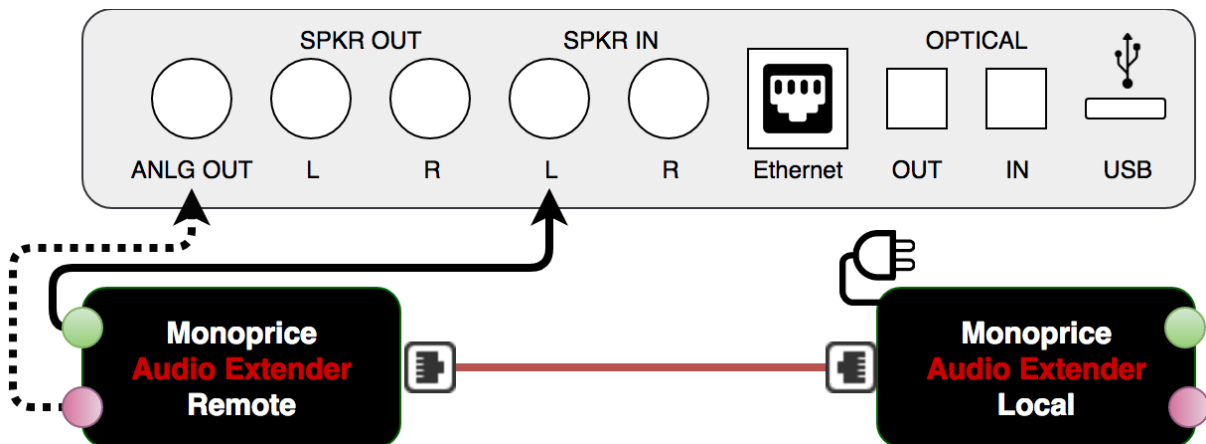
- "ANLG OUT" port on the Condor to the "Mic In" (pink) port on the Remote Audio Extender.
- "SPKR IN (L)" port on the Condor to the "Audio Out" (green) port on the Remote Audio Extender.



- i** The benefit of using the Monoprice Audio Extender is that the device converts the unbalanced signal from the Condor's RCA connection to a balanced signal running through a CAT5e or CAT6 shielded cable. This permits cables to run over long distances without any audio quality degradation.

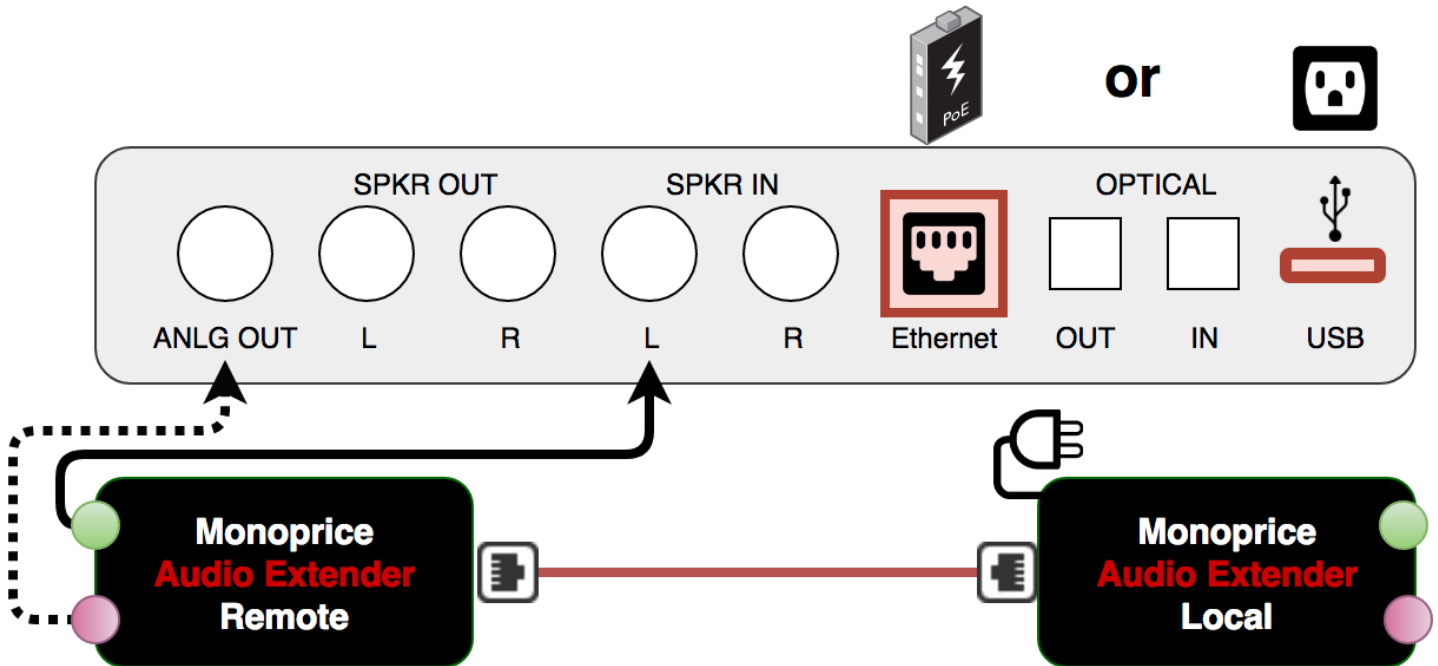
2. The second connection will be between the Remote Audio Extender and the Local Audio Extender.

- Position the Local Audio Extender near the Stingray unit.
- Using a CAT5e or CAT6 shielded cable, connect the Remote Audio Extender to the Local Audio Extender.
- Connect the included power supply from the Local Audio Extender into a power outlet.



3. We must also provide power to the Condor. The two available options are as follows.

- Option 1: Connect via the included USB power supply
- Option 2: Provide PoE - no data is required and you may also use a PoE injector.



4. We are now ready to link the Local Audio Extender and the Stingray MT700.

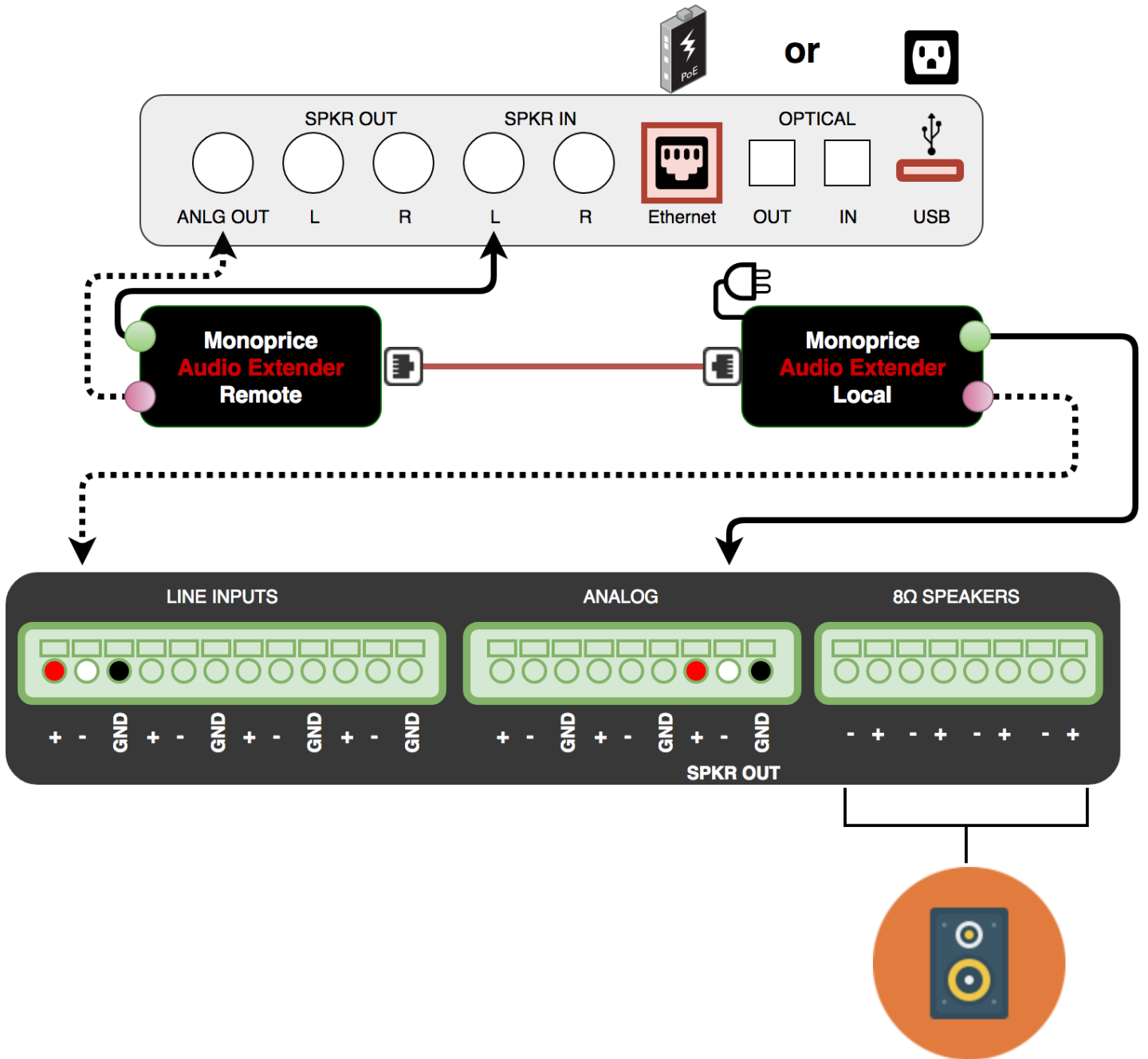
There are two connections needed between the Local Audio Extender and the Stingray. For this setup, we will be using the Stingray's "LINE INPUT" connection port as well as the "SPKR OUT" port.

1. Using the included 6" Phoenix to 3.5mm cable, connect the following:
  - "Mic Out" (pink) port on the Local Audio Extender to the first "LINE INPUT" port on the Stingray.
2. Using the included 6" Phoenix to Dual 3.5mm cable, connect the following:
  - "Audio In" (green) port on the Local Audio Extender to the "SPKR OUT" port on the Stingray.
  - **IMPORTANT:** The additional connector on this cable will be used for the second Condor.

**i** For these two connections, take care to ensure that the correct cables are inserted properly. Insert the red cable into the positive (+) port, the white cable into the negative (-) port, and the black cable into the ground (GND) port. Make sure to push the ends of the cables, ferrules, securely into the Stingray unit, with no part of the ferrule tip exposed.

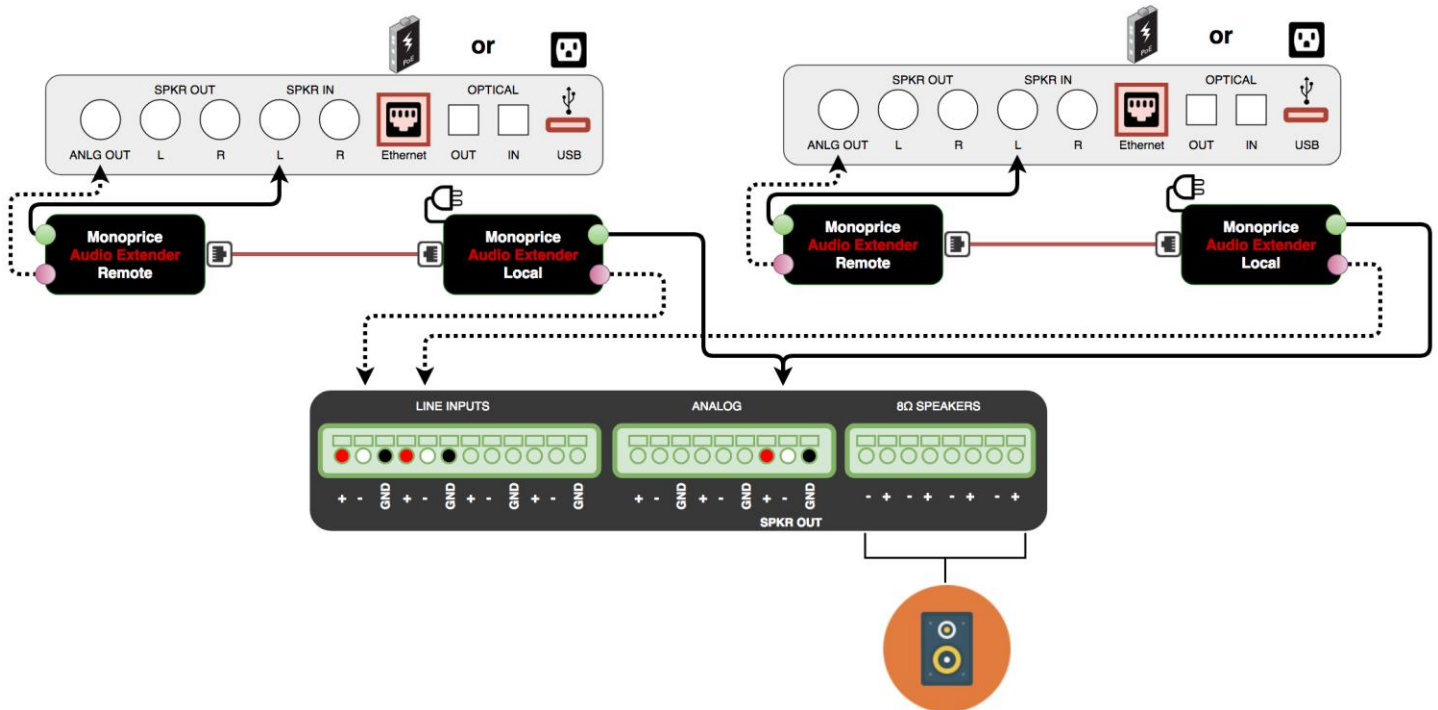
**5.** Using the Stingray's built-in power amplifier, you may now connect up to 4 wired speakers.

- The Stingray supports 70-Watt 8 Ohm speakers.





Complete the same steps above for the second Condor, inserting the ferrules into the second “Line Input.” The following is an image of all connections between the two Condors and the Stingray



When the installation is completed, access the Stingray settings either using the front LCD screen on the device or logging into the IP address of the Stingray when connected to the same network.

[See instructions below.](#)

## SETTING UP THE STINGRAY

- i** The only setup necessary is changing the Stingray's mixer setting to line mixer. This can be done through the front panel or through the Stingray's setup GUI.

### Stingray Front Panel

- 1.** From the front panel, enter the menu. Scroll down to the second menu item, "automatic mixer selection."



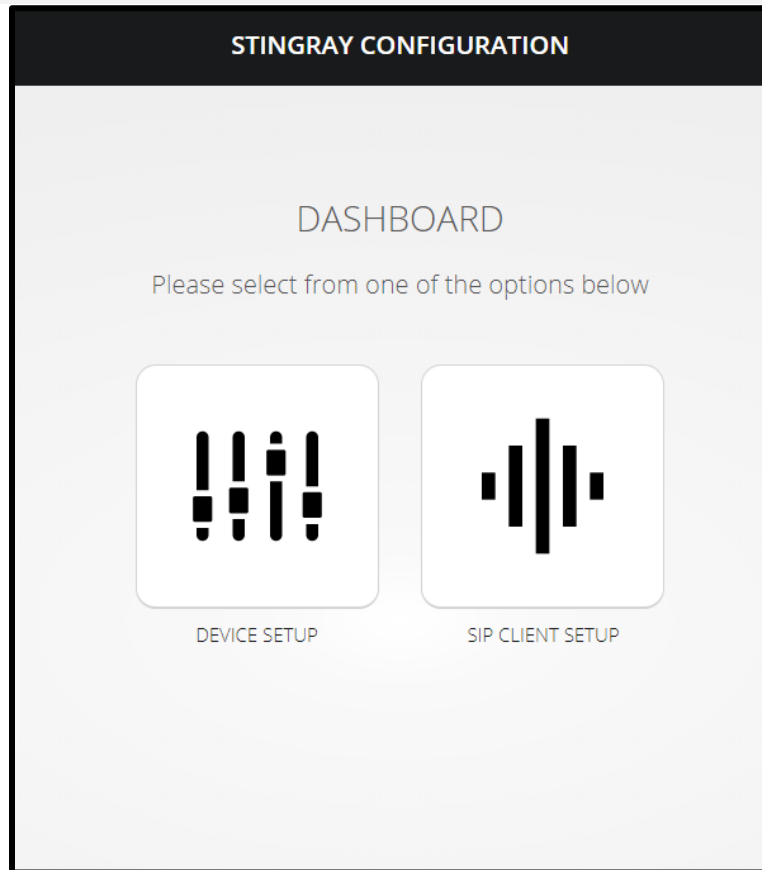
- 2.** Press Enter and select "mix line input."



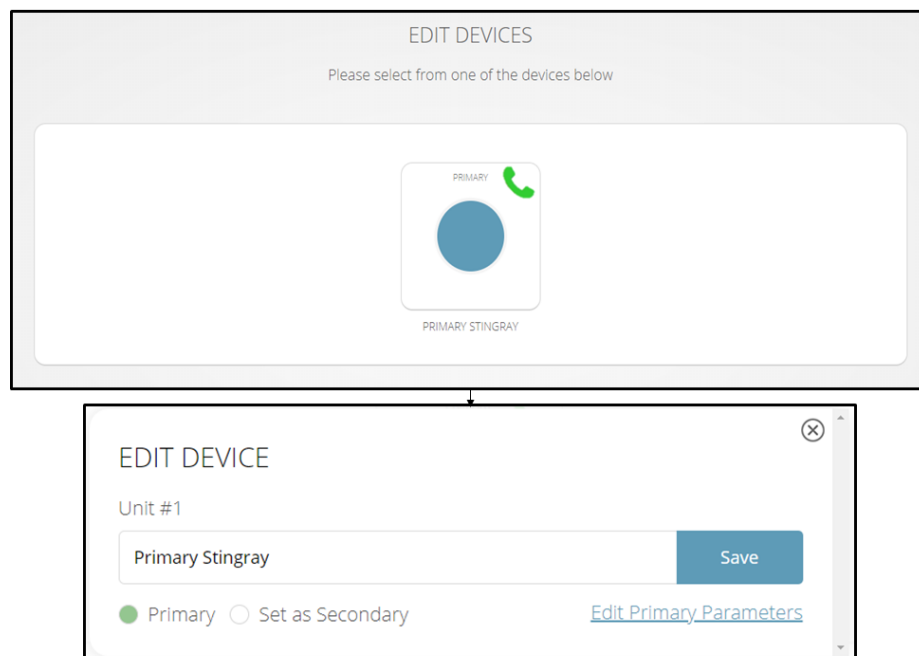
- 3.** Press Enter again, select the lines the Condors are connected to, and set them to the "mixer" option.

## Stingray GUI

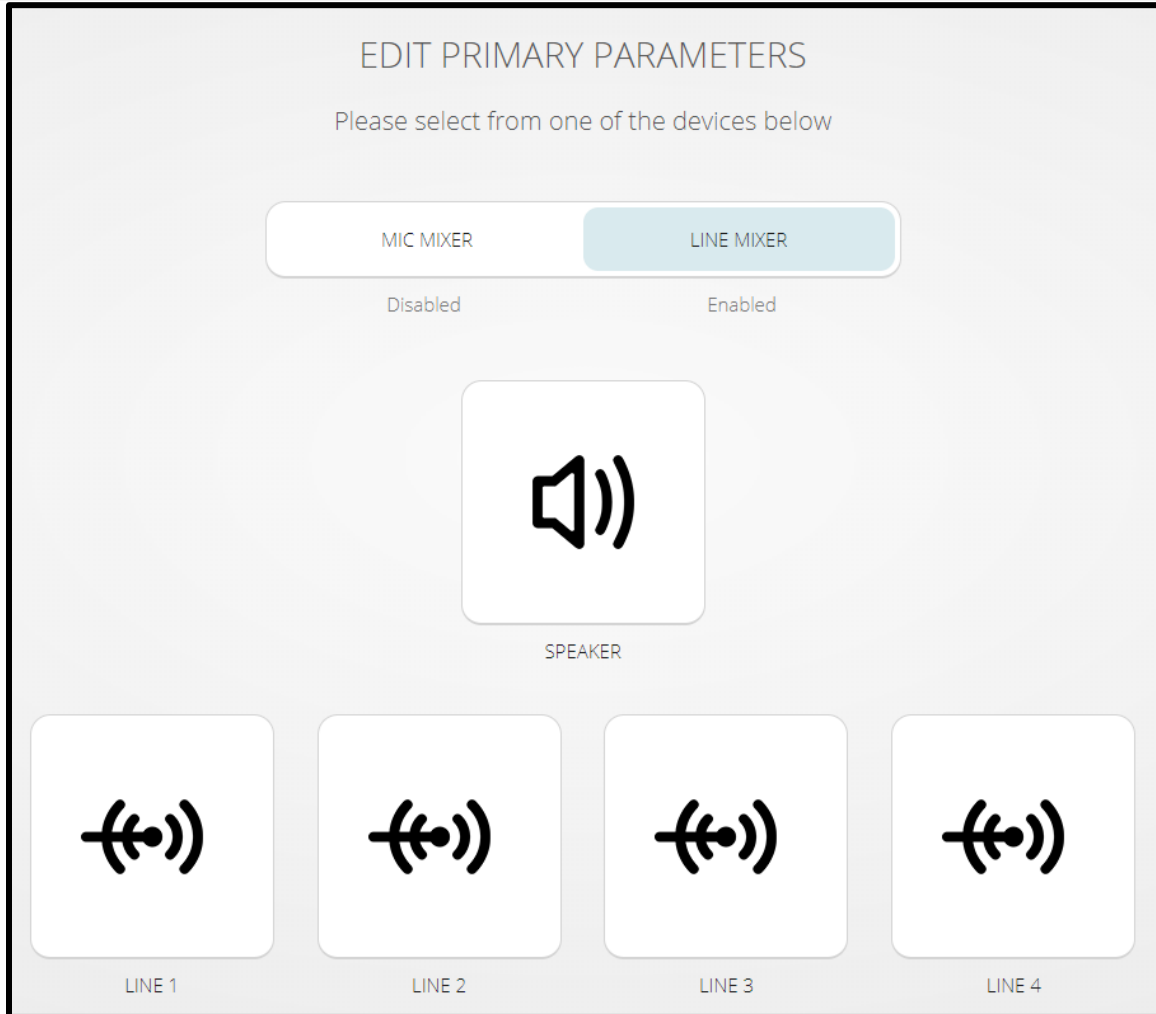
1. After logging into the IP address of the Stingray, select “Device Setup.”



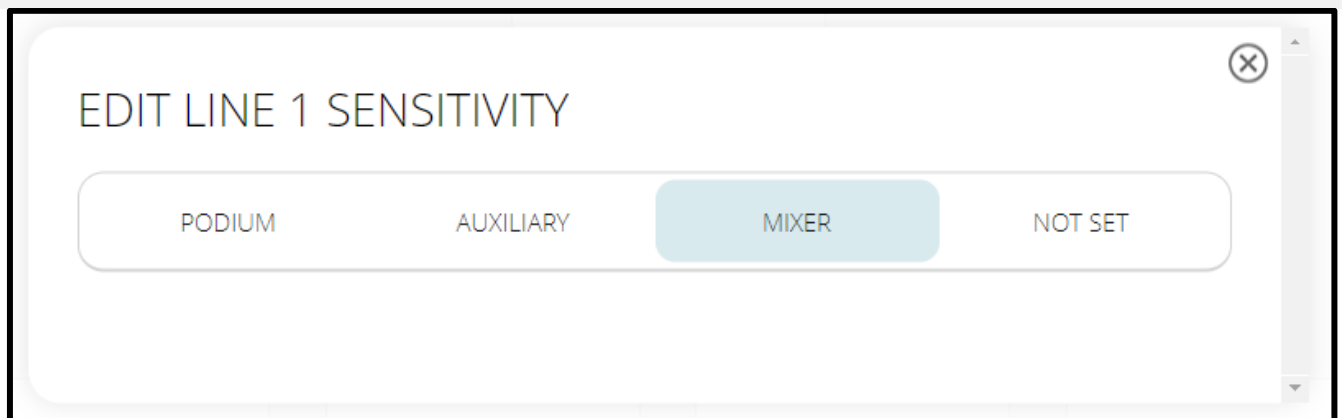
2. Select the primary unit and then “Edit Primary Parameters”.



3. Within the “Edit Primary Parameters” page, select “LINE MIXER”.



4. Line settings appear at the bottom of the “Edit Primary Parameters” page. Select the lines used for the Condor units and set each to the “MIXER” option.



For setup assistance or any additional technical questions, contact Phoenix Audio Technical Support at (818) 937-4779 or email us at [support@phnxaudio.com](mailto:support@phnxaudio.com).